

WALLPOD:EV

HOMESMART EV

Type 2, Mode 3 Charging Socket
3.6kW Or 7.2kW

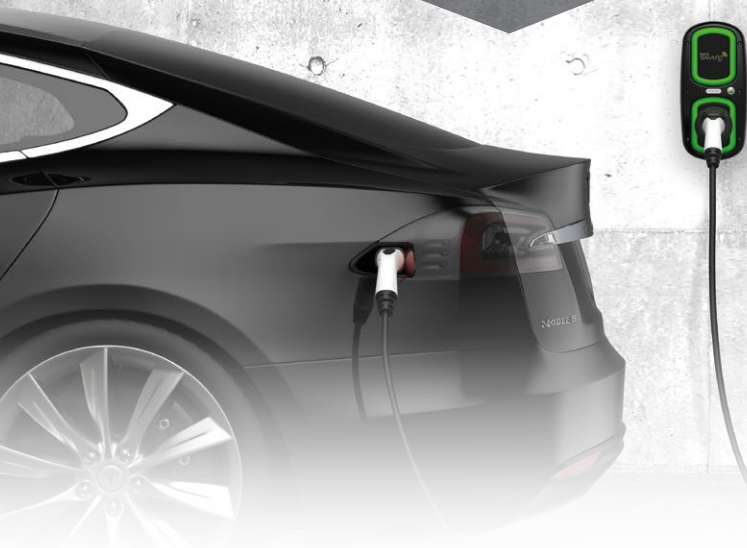
ROLEC

EV

MANUFACTURED IN THE UK



in partnership with



The WallPod:EV HomeSmart is a smart charging unit which has been designed to provide the user with a simple, mobile phone interactive EV charging solution for the home.

The EV driver can control the charging activity of their WallPod:EV HomeSmart unit using their mobile phone, as well as allowing them to monitor / record all their charging activity, data and history.

Available with a Type 2, Mode 3 charging socket offering either 3.6kW (16amp) or 7.2kW (32amp) charging speeds.



Unit shown: WALLPOD:EV
HOMESMART EV
Type 2, Mode 3 Charging Socket

PRODUCT FEATURES

- Smart charging (see smart features)
- IEC 61851-1 Mode 3 fast charging
- IEC 62196 (Type 2) charging socket
- Charging speeds - 3.6kW (16A) & 7.2kW (32A)
- Supplied with external overload and fault current protection (Type A RCBO)
- Built-in DC sensitive protective device
- Built-in LED charging status indicator
- Built-in Class 1 MID compliant kWh meter
- Built-in Modem and roaming sim
- Built-in GPRS communication antenna
- OLEV Grant Fundable under the Electric Vehicle Homecharge Scheme
- Certificated by the BSI as safe to use in the domestic environment
- IP Rated and UV Stabilised
- Corrosion resistant, fire retardant & impact resistant design

SMART FEATURES:

- Live Charging Activity
 - Charging status
 - Stop / start charging
 - Smart & boost charging
 - Charging notifications
- Charging History
 - Total energy used
 - Historical data
 - CO2 savings
- Advanced Settings
 - Off-peak optimisation
 - Green charging
 - Grid services
 - Fleet management



GPRS
Connectivity



Grant
Fundable



Mobile App Controlled
SMART Charging



Colour Options
Available



Safety In The
Home Certified

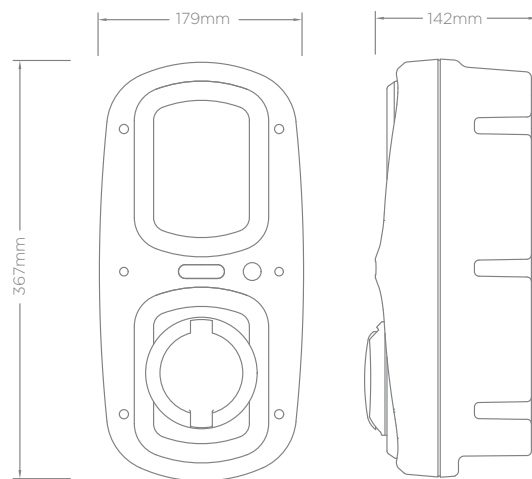


IP Rated &
UV Stabilised

SPECIFICATIONS

PHYSICAL

Dimensions	179mm x 367mm x 142mm (W x H x D)
Standard Base Colour	Black (Other colours available upon request)
Standard Pod Colour	Green (Other colours available upon request)
Unit Material	Polycarbonate (303 EP-22)
Operating Temperature	-30°C to +50°C
Certifications & Compliances	BSI Certified - BS EN 60335-1 Wiring Regulations - BS 7671 (18th Edition) IET EV Regulations, Glow Wire Testing - IEC 60695-2-13 EMC Compliance - EN 61000-6-3:2007, EN 61000-6-2:2005 Safety Compliance - EN 60950-1:2006, EN 60950-22:2006, Low Voltage Directive (LVD) 2014/35/EU Environmental Protection - IP65 Enclosure, IP54 Socket UL94 Flame Rating at V2 for 1.5mm and 3.0mm



ELECTRICAL

Product Code	EVHS2010	EVHS2020
Charging Socket	IEC 62196 (Type 2)	
Rated Output	3.6kW	7.2kW
Rated Current	16A	32A
Charge Protocol	Mode 3	
EV Charging Compliance	EN 61851-1:2001, EN 61851-21:2002, EN 61851-22:2002	
Input Voltage	230V AC/50Hz (Single Phase)	
Overload & Fault Current Protection	External 20A, 30mA Type A RCBO & Built-in 6mA DC Sensitive Device	External 40A, 30mA Type A RCBO & Built-in 6mA DC Sensitive Device
Cable Terminals	3 x 16mm	
Communications	GPRS - Recommended signal strength of 14 CSQ or above	
Standby Consumption	Approx 0.05kWh per day	Approx 0.05kWh per day

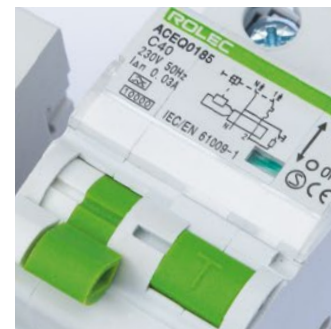
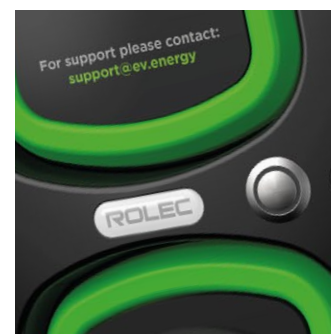
HOMESMART EV

- Built-in modem and GPRS signal antenna
- Built-in roaming Sim card connects directly to the strongest signal
- ev.energy Back Office management
- Smart charging control via the ev.energy smartphone app



OPTIONS & ACCESSORIES

- Corporate branding (colours, logo badge, etc.)
- EV charging cables (Type 1 to Type 2 or Type 2 to Type 2)
- High gain, unit mounted GPRS signal antenna
- High gain, remote mounted GPRS signal antenna



Images are for marketing purposes only and are not contractual © 2019



Head office contact:
t: +44 (0) 1205 724754
f: +44 (0) 1205 724876
rolec@rolecserv.co.uk

Rolec Services Ltd
Ralphs Lane, Frampton West
Boston, Lincolnshire
UK. PE20 1QU

EVWPHSSD-05
@RolecEV
www.rolecserv.com